

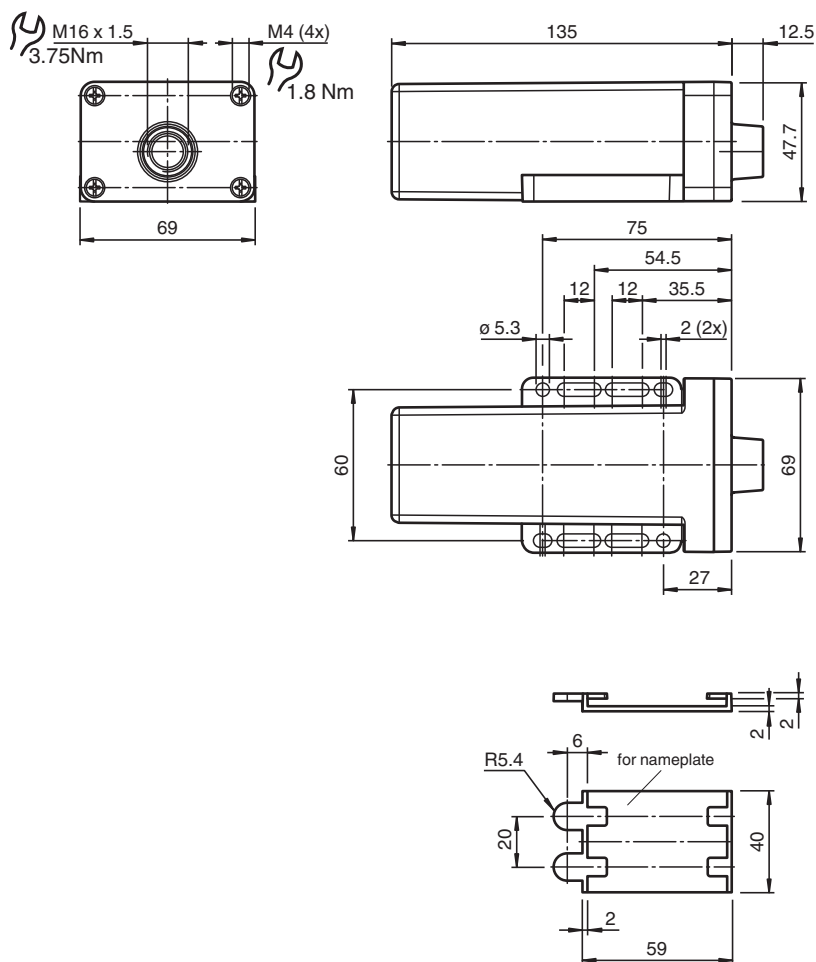


Protective enclosure SH-Lx-M16

- Protection against contamination and damage
- Captive screws for easy mounting
- Different cable glands available
- Spacer to fix the sensor

Protective enclosure and spacer for VariKont L

Dimensions



Technical Data

Ambient conditions




Ambient temperature

- 25 ... 85 °C (77 ... 185 °F)

Technical Data

Storage temperature	- 40 ... 85 °C (104 ... 185 °F)
Mechanical specifications	
Degree of protection	IP67
Material	
Housing	PEI
Enclosure cover	HD-PE
Spacer element	ABS
Accessories	
Optional accessories	Cable glands CG.NA.*

Accessories

	V1-GV4A-2M-PP-W1	Single-ended female cordset, M12, V4A stainless steel, wash-down design, 4-pin, PP cable
	V1-GV4A-5M-PP-W1	Single-ended female cordset, M12, V4A stainless steel, wash-down design, 4-pin, PP cable
	V1-GV4A-10M-PP-W1	Single-ended female cordset, M12, V4A stainless steel, wash-down design, 4-pin, PP cable